

Ki. Node



Interoperable Smart Node

The Ki. Node is a smart device that can be installed on new and existing street lighting infrastructure throughout the city.

Each Ki. Node transforms the lamppost into a wireless communication point and connects to an interoperable ecosystem, creating a virtual flow of data within your smart city. This is possible via an internal antenna, enabling the Ki. Node to connect with other assets in the ecosystem, via LoRaWAN, creating a two-way digital data flow.

Connect with Ki.

Ki. Nodes are interoperable, making your smart city ecosystem scalable, traceable and manageable from a single open IoT platform. This enables you to connect Ki. with other intelligent assets so you can manage, control and monitor a number of variables at once.

Available with a 5/7 pin NEMA connection on the base of the unit (ANSI C136.41), the Ki. Node is easy to install on LED luminaires with a twist-lock socket. A Conduit version is also available for luminaires that require a wired connection point, as well as Zhaga, to complement modern luminaire designs.

GPS and Bluetooth are also available (Node Two), for enhanced asset management and alternative connectivity, respectively. Additionally, hot weather versions are available in all variants.

Control beyond street lighting

Fundamentally equipped to control streetlight dimming profiles and switching schedules, with an integrated photocell, the Ki.Node captures a plethora of other critical data, such as:

- Energy consumption
- GPS
- Burning hours
- Voltage
- Column integrity
- Power outage warning
- Many more variables

The Ki. Node can also identify and communicate issues concerning the lamp, physical changes to the column or electrical anomalies, as well as operating as normal and logging activity even when disconnected from the communication network – so data is always captured.

In the unlikely instance of a lost connection from the network, Ki. Nodes continue to control streetlights against the profiles assigned via the Ki. City platform.

Features

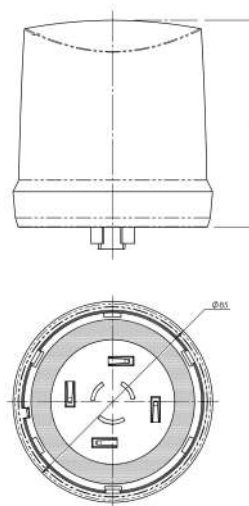
- **Interoperable** – Uses open protocol (TALQ v2) to communicate, making it interoperable with other systems
- **Scalable** - Additional Ki. Nodes can be integrated within street lighting scheme at any time, growing with the needs of your smart city
- **Intuitive** – Equipped with a number of features to ensure you are notified of events that may affect performance, before they happen
- **Robust** – Operates normally and logs activity even when disconnected from the network. Uses LoRaWAN to optimise continuous connectivity and ensure system is always covered by multiple gateways

Ki. Node Two

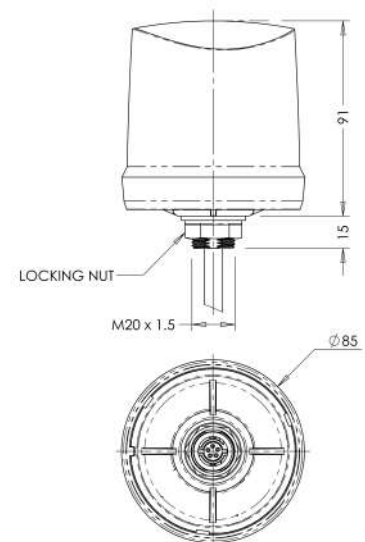
Technical Specification

Technical Spec	Ki. Node Two	
	NEMA	CONDUIT
	AS923	AS923
Bluetooth	✓	✓
GPS	✓	✓
Luminaire DALI	✓	✓
Luminaire 0 -10V	✓	✓
Luminaire 1 -10V	✓	✓
Luminaire Switched	✓	✓
Frequency band	915-928 Mhz	915-928 Mhz
Vin	+85V to +265V	+85V to +265V
Frequency (Hz)	50/60Hz	50/60Hz
Weight (g)	250g	290g
Temp ambient (Ta)	-30 to +50°C	-30 to +50°C
Temp storage	-40 to +85°C	-40 to +85°C
Temp - Rated	-30 to +50°C	-30 to +50°C
Luminaire Power	Up to 1kW	Up to 1kW
Connections	NEMA 5/7 Pin	Flving 5 leads 20mm
IP	IP66	IP66
Tilt / Accelerometer	As Standard	As Standard

NEMA



CONDUIT



Please contact our sales office for further details

Lucy Zodion Ltd,
Station Road,
Sowerby Bridge,
HX6 3AF, United Kingdom

Tel +44 (0)1422 317337
Fax +44 (0)1422 836717
ki.enquiries@lucyzodion.com
www.ki.community